

# Nord Technology

Reseller of JHCTECH hardware in Denmark

## NORD TECHNOLOGY CONTACT INFORMATION

World Trade Center  
Borupvang 3,  
2750 Ballerup,  
Denmark

 **Tel.:** +45 70 27 04 15  
 **Email:** sales@nord-t.eu  
 **Website:** www.nordtechnology.dk

KMDA-5611-S001



# KMDA-5611-S001

Intel® 8/9th Gen Coffee Lake LGA1151 CPU, 2\*LAN, 4\*POE+, 2\*USB3.1, 3\*USB2.0, 1\*HDMI, 1\*VGA, 2\*COM, 32bit Iso. DIO, 1\*mSATA, 1\*Mini PCIe, 1\*SATA3.0, DC 9-36V.

**JHCTECH**

IoT Computer  
Connecting the Dots

Embedded Box PC--KMDA Series



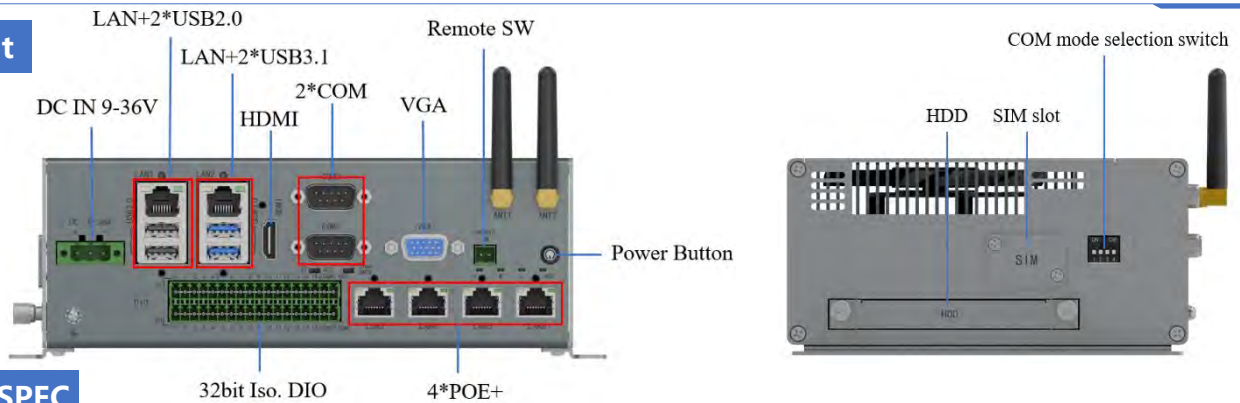
## Key Features

- Intel® 8/9th Gen Coffee Lake LGA1151 CPU
- Intel® H310 Chipset
- 2\*DDR4 2400/2666MHz SODIMM, up to 64GB
- 1\*HDMI + 1\*VGA
- 2\*LAN, 4\*POE+, 2\*USB3.1, 3\*USB2.0, 32bit Iso. DIO
- 1\*RS232/485 and 1\*RS232 COM
- 1\*Mini-PCIe full size, with SIM card slot, supporting 4G/WIFI/PCIe signal function module
- 1\*2.5" Easy-plug SATA3.0 bay and 1\*mSATA
- DC IN 9-36V, with OVP,OCP and SCP

## Product Overview

KMDA-5611-S001 is a high-performance box computer with H310 chipset, powered by Intel® 8/9th Gen Coffee Lake CPU, multi IO interfaces and moderate size. It is suitable for machine vision and industrial control and other industries and fields.

## IO Layout



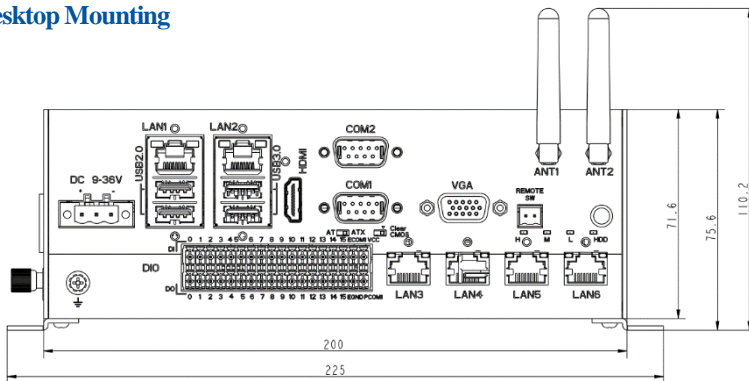
## Product SPEC

CPU+PCH	Intel® Coffee lake 9th/8th-Gen Core™ i9/i7/i5/i3/Pentium/Celeron LGA1151 CPU, up to 65W Intel® H310 PCH
System memory	2*260-Pin SODIMM, dual-channel DDR4 2666/2400MHz, up to 64GB
Expansion	1*Mini-PCIe full size, with SIM card slot, supporting 4G/WIFI/PCIe signal function module
Graphics	Intel UHD Graphics, Supports DirectX11.1, OpenGL 5.0 and OpenCL 2.1, HDMI max res. 4096*2160@24Hz, VGA max res. 1920*1200@60Hz
Audio	/
LAN	1*Intel I210AT + 1*Intel I219LM Gigabit Ethernet port, PCIe X1 full bandwidth, 10M/100M/1000Mbps adaptive, supporting WOL 4*Intel I210AT POE+(at.) Ethernet port, PCIe X1 full bandwidth, 10M/100M/1000Mbps adaptive, supporting WOL
Storage	1*2.5" easy-plug SATA bay, with SATA3.0 signal, max 6Gbps; 1*full size mSATA, with SATA3.0 and USB2.0 signal, max 6Gbps
I/O Interface	2*RJ45 Gig-LAN; 4*POE+; 2*USB3.1(5Gbps, Type A); 2*USB2.0 (Type A) ; 1*USB2.0 Type A (built-in); 1*RS232/485 (via DIP switch, DB9 male), 1*RS232 (DB9 male); 32bit Iso. DIO(2*18pin Phoenix terminal); 1*HDMI; 1*VGA
DIO	32-bit isolated DIO, 16-bit DI is 2.5KV photoelectric isolation, supports PNP and NPN mode selection; The 16-bit DO is 2.5KV optical isolated Darlington output, and the matching resistor is built-in, which can be selected according to different driving currents, single drive current can reach 500mA; Supporting multiple levels of input such as 5V/12V/24V, pulse period reaches 2ms/pulse wave
LED	1*Power LED (on the power button), 1*HDD LED, 3*CPU temp LED (Red is warning, Yellow is high, Green is normal)
Control SW	1*Power SW, 1*Remote SW, 1*AT/ATX dip, 1*Clear CMOS dip
Power supply	DC IN 9-36V, 3-pin Term. block 5.0mm, with short circuit(SCP), over voltage(OVP) and over current(OCP) protection; TDP : TBD
Security	Support TPM2.0 (optional)
Watchdog timer	Watchdog timeout programmable via software 1 to 255 second
OS	Windows 10 Enterprise & IOT Enterprise (64 位) (CFL-R) Ubuntu, SuSe, Redhat Enterprise 1,2 (Kernel 4.14) (CFL-R) Wind River VxWorks 7 (CFL-R)

Structure	Aluminum-magnesium alloy, SGCC frame
Color	Silver Gray
Mounting	Wall Mounting (default), Desktop Mounting (optional), DIN-Rail mounting (optional)
Dimension	(W*D*H): 225*154*75.6 mm
Net weight	TBD
Operating temperature	-20 ~ 60°C, SSD, air flow -10 ~ 55°C, HDD, air flow
Storage temperature	-40°C~85°C
Storage humidity	10~95%@40°C, Non-condensing
Vibration	5grms/5~500Hz/random/in working(SSD); 1grms/5~500Hz/random/in working(HDD)
Shock	50g peak acceleration(11ms duration)(SSD); 20g peak acceleration(11ms duration)(HDD)
EMC/Certification	CE/FCC Class A

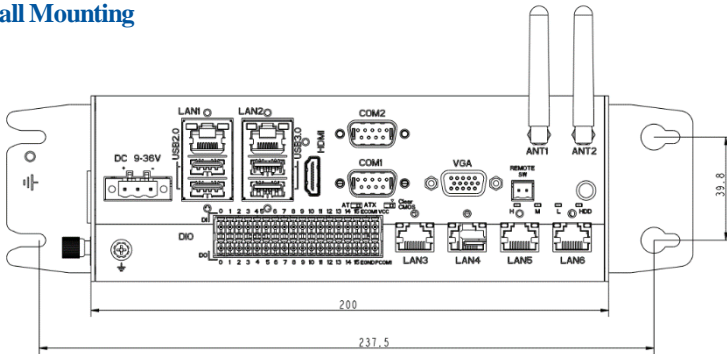
## Dimension

### Desktop Mounting

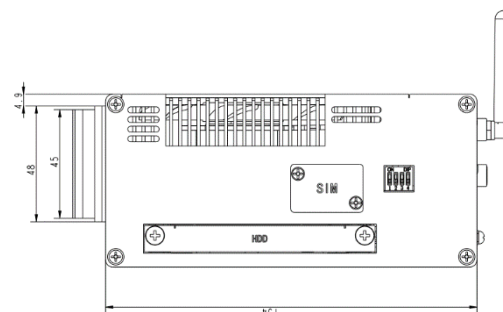
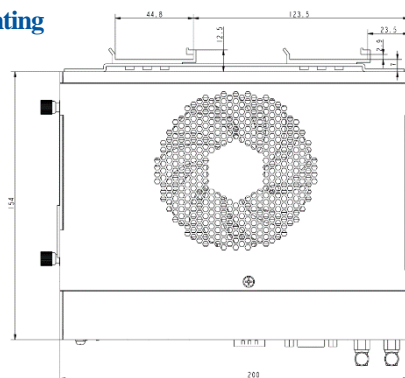


Unit: mm

### Wall Mounting



### DIN-Rail Mounting



## Ordering Info.

Model No.	Introduction
KMDA-5611-S001	Embedded box computer, Intel® 8/9 <sup>th</sup> Gen Coffee Lake LGA1151 CPU, H310 PCH, 2*DDR4 SODIMM, 2*LAN, 4*POE+, 2*USB3.1, 3*USB2.0, 2*COM, 1*HDMI, 1*VGA, 32bit Iso. DIO, 1*2.5" SATA bay, 1*mSATA, 1*Mini PCIe, 1*SIM card slot, DC 9-36V.
PA-120DC19	AC/DC power adapter, DC 19V/6.32A,120W